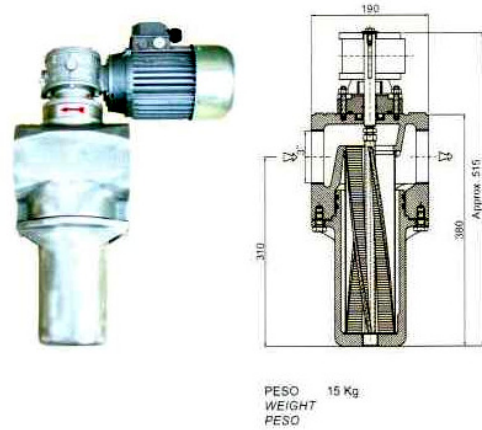


ALF4P Aluminium Static Filter

The ALF4P filter can be used to filter suspended solid particulate automatically with a low installation cost. This tried and tested filter with its simple, sturdy design offers is extremely easy to install in existing flow lines in limited space.



Technical Specification

Operating Pressure	10 barg
Filtration	150—1500 micron
Design pressure	15 barg
Max operating pressure	70°C
Inlet/outlet flanges	3"
Discharge ø	1"
Automatic drain valve	24V a.c
Differential pressure gauge	On request
Control unit	230/400V 3 phase –50 HZ

Materials

Aluminium alloy with a st.st screen wire cartridge with various filter retention degrees

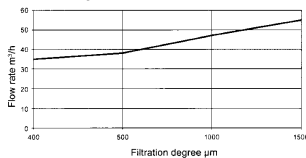
Filter cartridge

The standard cartridge is made of st.st screen wire, however punched hole cartridges are available upon request

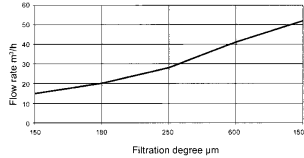
Flow rates

Maximum flow rates (m³/hr) values determined with a pressure drop of 0.2-0.3 barg, depending upon the filter media

FLOW DIAGRAM WITH 1 GR/LT OF SUSPENDED SOLID PUNCHED HOLE
Data test with H₂O at 20°C



FLOW DIAGRAM WITH 1 GR/LT OF SUSPENDED SOLID SCREEN WIRE
Data test with H₂O at 20°C



ALF4P Maximum flow rates with clean water m³/hr

Filter media	Cartridge Surface Area (dm ²)	1500µ 11 mesh	1000µ 18 mesh	600µ 30 mesh	500µ 35 mesh	400µ 40 mesh	250µ 60 mesh	180µ 80 mesh	150µ 100 mesh
		Flow	Flow	Flow	Flow	Flow	Flow	Flow	Flow
Punched Holes	7	60	49		38	35			
Screen wire	7	89		74			42	31	27



ICS (INDUSTRIAL SERVICES) Ltd
 Tel: +44 (0) 1244 371167 Fax: +44 (0) 1244 372497
 Email: sales@icsindustrialservices.co.uk
 web: www.icsindustrialservices.co.uk