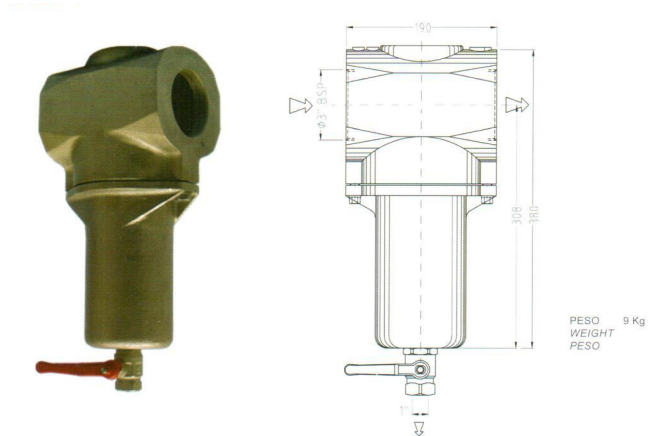


# ALSF4 Static filter

The ALSF4 filter has a high performing efficiency owing to the ratio between the input area and filtration surface. The specific internal design forces the liquid into a swirling movement which distributes the impurities evenly over the total cartridge area and collects the solids into the base of the bowl. Therefore less maintenance is required.



### Materials

**ALSF3** hardened and tempered cast aluminium

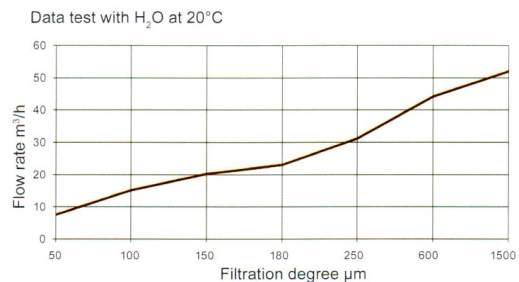
### Filter cartridge

Screen wire or light-perforated st.st

### Flow rates

Maximum flow rates (m<sup>3</sup>/hr) values determined with a pressure drop of 0.2-0.3 barg, depending upon the filter media

FLOW DIAGRAM WITH 1 GR/LT OF SUSPENDED SOLID SCREEN WIRE



Technical Specification			
Operating Pressure	10 barg	Inlet/outlet flanges	3"
Filtration	50—1500 micron	Discharge ø	1"
Design pressure	15 barg	Drain valve	Manual ball
Max operating pressure	70°C		

### ALSF4 Maximum flow rates with clean water m<sup>3</sup>/hr

Filter Model	Cartridge Surface Area (dm <sup>2</sup> )	1500µ 10 mesh	600µ 30 mesh	250µ 60 mesh	180µ 80 mesh	150µ 100 mesh	100µ 150 mesh	50µ 400 mesh
		Flow	Flow	Flow	Flow	Flow	Flow	Flow
ALSF4 Screen wire	7	89	74	42	31	27	22	12



**ICS (INDUSTRIAL SERVICES) Ltd**  
 Tel: +44 (0) 1244 371167 Fax: +44 (0) 1244 372497  
 Email: [sales@icsindustrialservices.co.uk](mailto:sales@icsindustrialservices.co.uk)  
 web: [www.icsindustrialservices.co.uk](http://www.icsindustrialservices.co.uk)