

MZ Hydraulic Atomisers

Specification

MZ spray nozzles produce some of the smallest droplets available on the market using the hydraulic process.

The spray is full cone (with less spray in the middle).

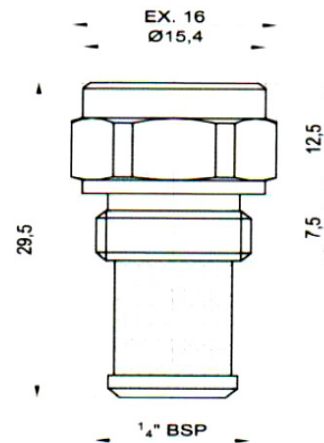
The spray pattern is 55 °– 60°

Option to insert a filter

Manufactured from 303ss

Applications

Humidification
Deodorisation
Sanitisation



Model Number	Free passage	l/hr @ bar								
		10	20	30	40	50	60	70	80	90
1/4" MZ0855	0.30	5.1	7.2	8.8	9.12	11.4	12.5	13.5	14.4	15.3
1/4" MZ0456	0.20	3.9	5.5	6.7	7.7	8.7	9.5	10.3	11	11.6
1/4" MZ0360	0.15	2.57	3.7	4.5	5.2	5.7	6.3	6.8	7.3	7.8

