

TANKO® S20

The TANKO® S family offers significant potential savings, excellent cleaning results and product safety.

The S20 part of this TANKO® family is a media driven rotating surge cleaning head

AWH's state of the art design and their quality of manufacture ensures these excellent results required in today's process and manufacturing industries.

The S20's broader and accurate slits create consistent and large virtually round droplets. These droplets impacting on the vessel walls, combined with a smooth rotation speed (thanks to the action of the double race ball bearings) creates the high impact required.



Typical Applications

- ⇒ Small vessels
- ⇒ Ducting
- ⇒ Process tanks
- ⇒ Combination fitting for larger tanks / areas



360°



180° upwards



180° downwards

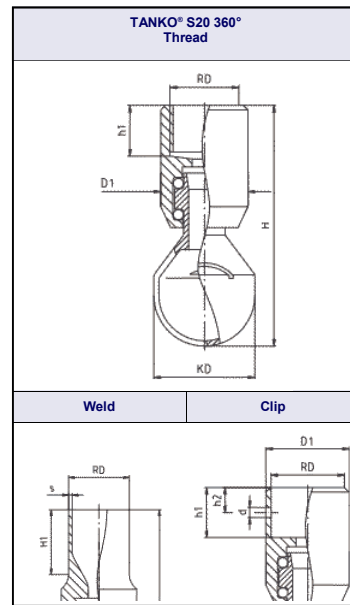


270° upwards

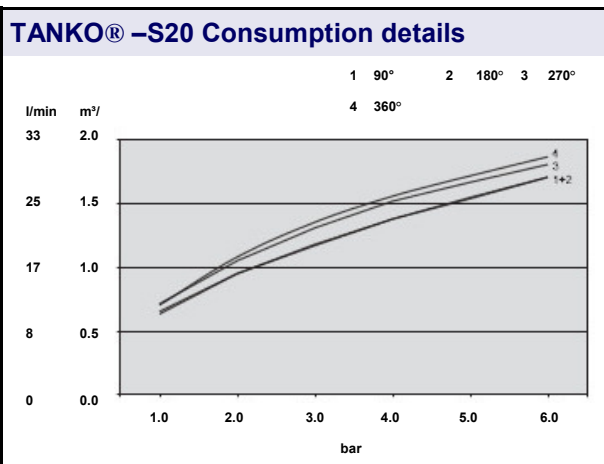


90° downwards

TANKO® S20 Specification	
Type of cleaning	surge cleaning
Coverage	90°, 180°, 270°, 360°
Mode of drive	cleaning media driven
Drive support	double ball bearings
Installation Position	freely selectable
Max rec. cleaning diam.	0.2 - 1.0 mtrs
Operating pressure	0.5 - 8.0 bar
Connection	1/8" BSP, NPT, Clip-on : Weld-on
Max. working temp	230°C
Max. ambient temp	250°C



Connection	DN mm	RD ømm	S mm	KD ømm	H mm	h1 mm	h2 mm	d ømm
Clip on	8	10.2	~	17	43	7	3	2.2
Clip on	6	10.4	~	17	43	7	3	2.2
Weld on	8	10.0	1	17	69	27	~	~
Weld on	10	13.0	1.5	17	69	27	~	~
Weld on	8	13.5	1.6	17	69	27	~	~
Weld on	8	12.7	1.65	17	69	27	~	~
Thread	6	1/8"	~	17	43	7	~	~



Refer to the AWH Catalogue connection on ICS web site for further information and the full CIP / tank cleaning experience
www.icsindustrialservices.co.uk



ICS (INDUSTRIAL SERVICES) Ltd Tel: +44 (0) 1244 371167 Fax: +44 (0) 1244 372497
 Email: sales@icsindustrialservices.co.uk web: www.icsindustrialservices.co.uk