

YLS Medium Flow Static Filter

YMS Low flow Static Filter

The static line filters YLS/YMS have been designed to meet inline requirements for suspended solids with low installation costs. YLS models are flanged and YMS models have threaded connections

Materials

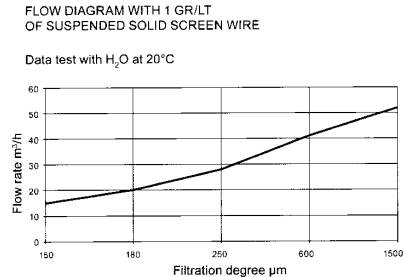
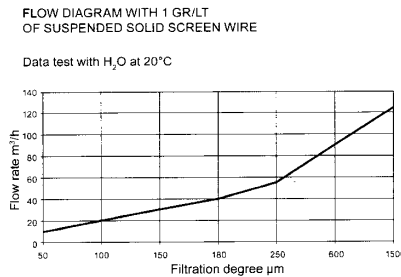
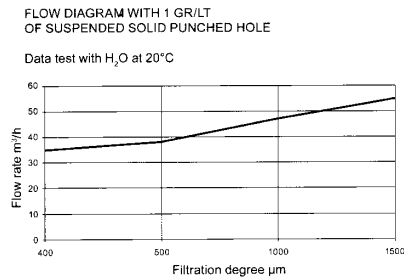
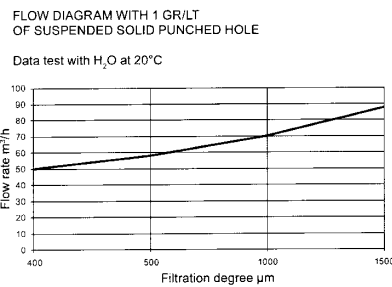
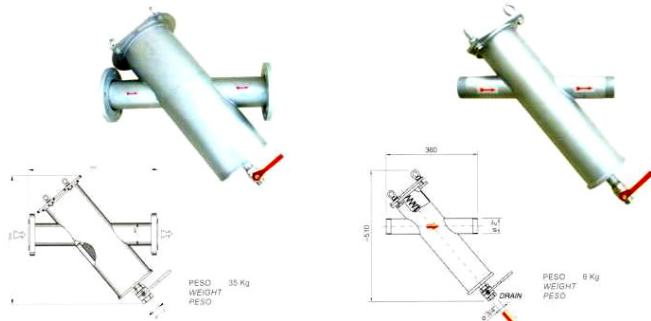
304L stainless steel

Filter cartridge

The standard cartridge is made of st.st screen wire.

Flow rates

Maximum flow rates (m³/hr) values determined with a pressure drop of 0.2-0.3 barg, depending upon the filter media



Technical Specification			
Operating Pressure	6 barg	Inlet/outlet flanges	YLS - ø 4" UNI PN10 YMS - ø 2" GAS Male
Filtration	50—1500 micron	Discharge ø	YLS - 1.1/2 YMS - 3/4"
Design pressure	10 barg	Drain valve	Manual ball
Max operating pressure	70°C		

YLS:YMS Maximum flow rates with clean water m³/hr

Filter Model	Cartridge Surface Area (dm ²)	1500µ	1000µ	600µ	500µ	400µ	250µ	180µ	150µ	100µ	50µ
		10 mesh	18 mesh	30 mesh	35 mesh	40 mesh	60 mesh	80 mesh	100 mesh	150 mesh	400 mesh
		Flow	Flow	Flow	Flow	Flow	Flow	Flow	Flow	Flow	Flow
YLS Punched holes	15	191	106		99	80					
YLS Screen wire	15			157			81	56	49	32	49
YMS Punched holes	7	60	49		38	35					
YMS Screen wire	7	89		74			42	31	27	22	12



ICS (INDUSTRIAL SERVICES) Ltd
 Tel: +44 (0) 1244 371167 Fax: +44 (0) 1244 372497
 Email: sales@icsindustrialservices.co.uk
 web: www.icsindustrialservices.co.uk