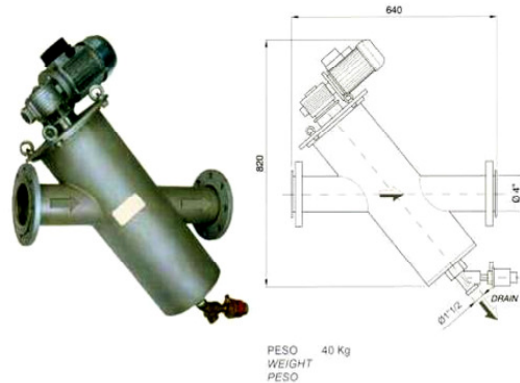


YSLAP Medium Flow “Y” Self Cleaning Filter

The YSLAP self cleaning filter is designed to filter suspended particles by means of a fully automatic system with a low installation cost.



Technical Specification

Operating Pressure	6 barg
Filtration	150—1500 micron
Design pressure	10 barg
Max operating pressure	70°C
Inlet/outlet flanges	DN100
Discharge ø	1.1/2”
Automatic drain valve	24V a.c
Differential pressure gauge	On request
Control unit	230/400V 3 phase –50 HZ

Materials

The filter body and all parts in contact with the liquid are 304L stainless steel. 316 st.st is available upon request. Seals are Viton and EPDM—other materials upon request.

Filter cartridge

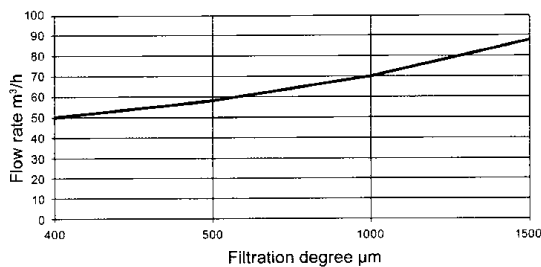
The standard cartridge is made of st.st screen wire, however punched hole cartridges are available upon request

Flow rates

Maximum flow rates (m³/hr) values determined with a pressure drop of 0.2-0.3 barg, depending upon the filter media

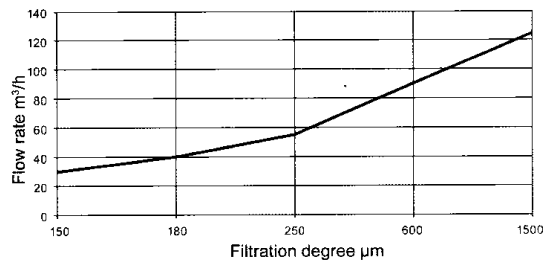
FLOW DIAGRAM WITH 1 GR/LT OF SUSPENDED SOLID PUNCHED HOLE

Data test with H₂O at 20°C



FLOW DIAGRAM WITH 1 GR/LT OF SUSPENDED SOLID SCREEN WIRE

Data test with H₂O at 20°C



YLSAP Maximum flow rates with clean water m³/hr

Filter media	Cartridge Surface Area (dm ²)	1500µ	1000µ	600µ	500µ	400µ	250µ	180µ	150µ
		11 mesh	18 mesh	30 mesh	35 mesh	40 mesh	60 mesh	80 mesh	100 mesh
		Flow	Flow	Flow	Flow	Flow	Flow	Flow	Flow
Punched Holes	15	150	119		99	80			
Screen wire	15	191		157			81	56	49



ICS (INDUSTRIAL SERVICES) Ltd
 Tel: +44 (0) 1244 371167 Fax: +44 (0) 1244 372497
 Email: sales@icsindustrialservices.co.uk
 web: www.icsindustrialservices.co.uk