

## DNM

### Features

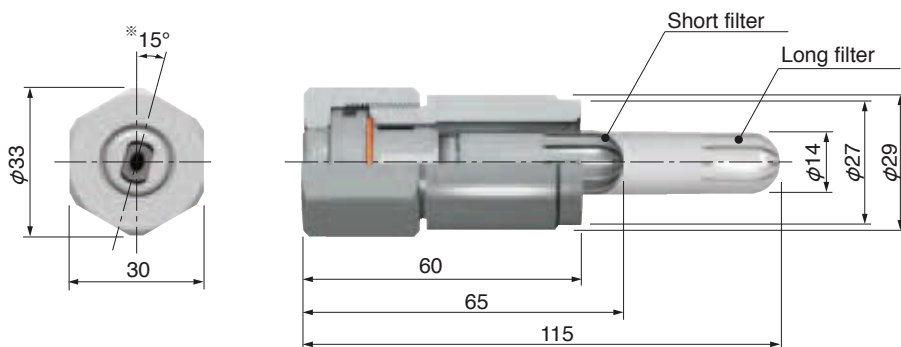
- The trumpet shaped orifice based on high hardness Tungsten Carbide for extra wear resistance.
- A straightening filter provides a uniform high impact force distribution.
- The compact design of the nozzle is good for mini-mill or any application that requires shorter spray distance.



### Maximum working pressure

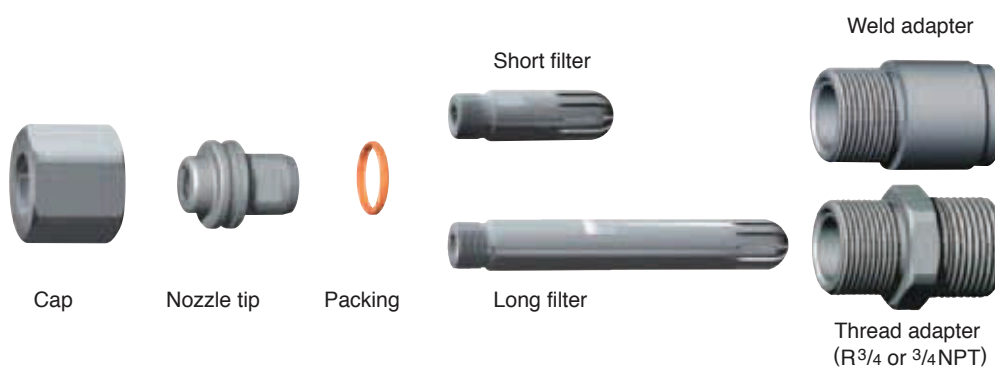
- 50 MPa

### Shapes & dimensions



※ Offset angle of nozzle tip against tabs

Unit : mm



| Part           | Material                                | Weight [g] |
|----------------|---|------------|
| Cap            | 303 Stainless steel                     | 80         |
| Nozzle tip     | High hardness tungsten carbide & 303 SS | 45         |
| Packing        | Copper                                  | 1          |
| Short filter   | 303 Stainless steel                     | 25         |
| Long filter    | 303 Stainless steel                     | 75         |
| Weld adapter   | 304 Stainless steel                     | 120        |
| Thread adapter | 304 Stainless steel                     | 120        |