

DNX

Features

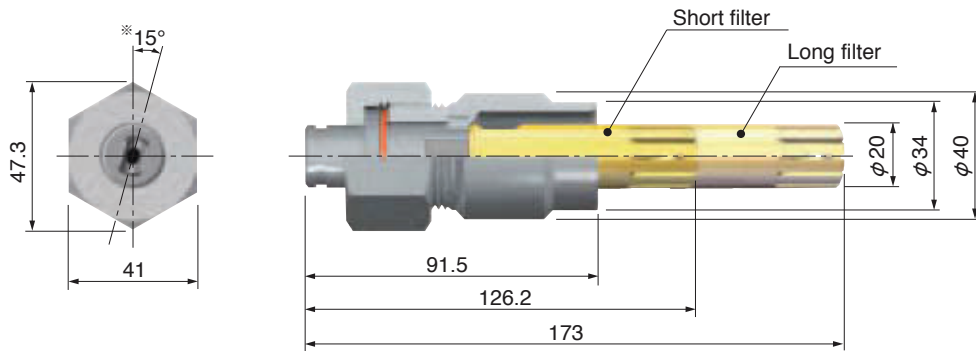
- Higher impact force and deeper erosion for more efficient scale removal.
- Lower water consumption with the same impact of existing descaling nozzles.
- Sharper spray edge definition for optimized descaling performance.



Maximum working pressure

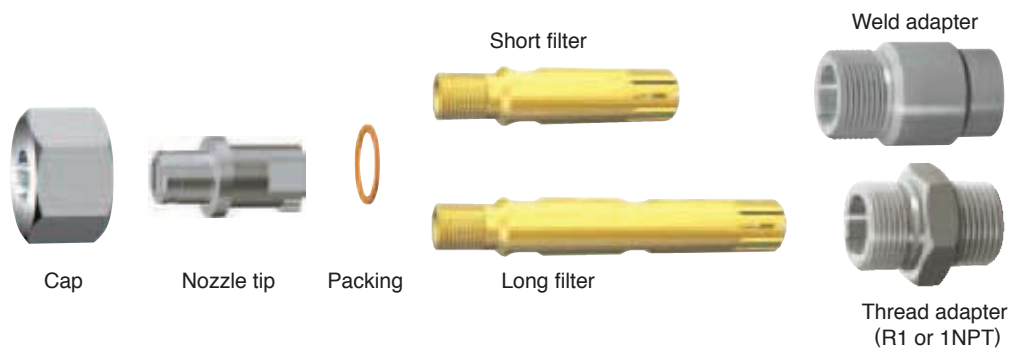
- 25 MPa

Shapes & dimensions



※ Offset angle of nozzle tip against tabs

Unit : mm



| Part | Material | Weight [g] |
|----------------|---------------------------|------------|
| Cap | 303 Stainless steel | 150 |
| Nozzle tip | Tungsten carbide & 303 SS | 115 |
| Packing | Copper | 4 |
| Short filter | Brass | 120 |
| Long filter | Brass | 215 |
| Weld adapter | 304 Stainless steel | 255 |
| Thread adapter | 304 Stainless steel | 215 |