

# Specification sheet

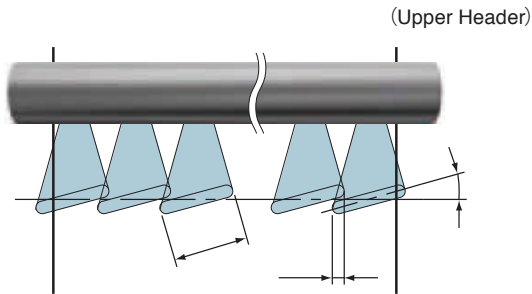
Please fill in the blanks with your existing descaling nozzle arrangement to that we can select our proper nozzle.

Overseas Seles Department  
FAX : +81-6-6452-2187

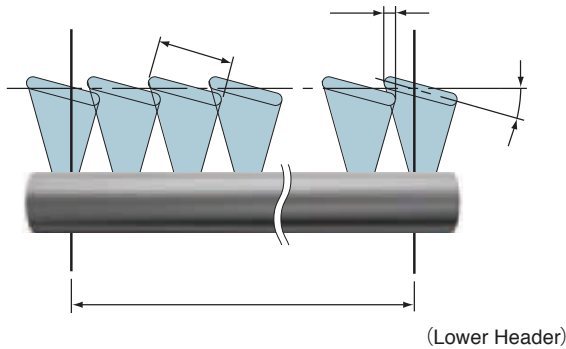
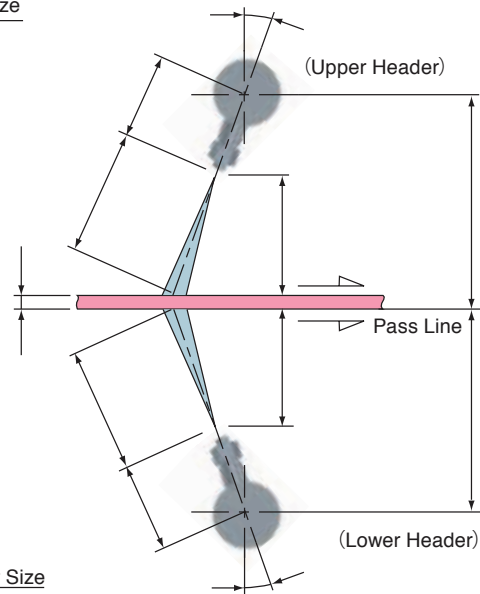
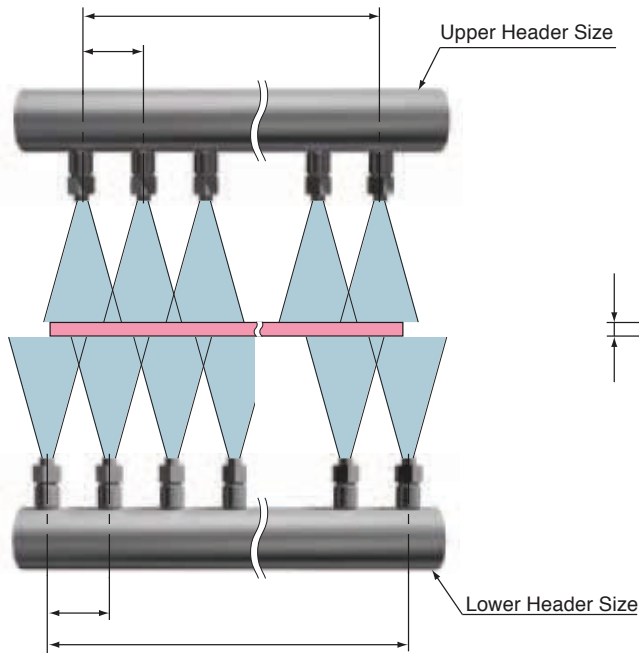
Date :     /     /     /

Customer Name :

Person in Charge :



Location of descaling :	_____
Existing Nozzle :	_____
Pressure :	_____
Flow Rate per One Nozzle :	_____
Number of Nozzles :	_____ Pcs. per Header



Location of descaling :	_____
Existing Nozzle :	_____
Pressure :	_____
Flow Rate per One Nozzle :	_____
Number of Nozzles :	_____ Pcs. per Header

EVERLOY Technology

Continuous Caster

Hot Rolling Mill

Other Applications