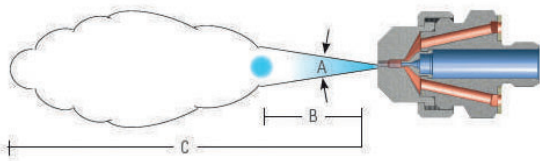
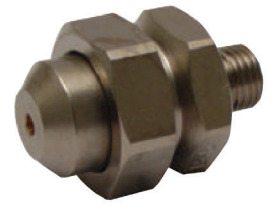
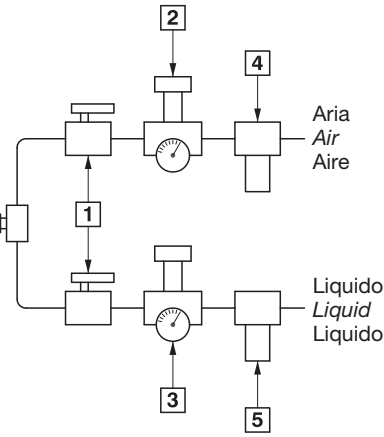


**CONO PIENO SOTTO PRESSIONE**  
**FULL CONE UNDER PRESSURE**  
**CONO LLENO BAJO PRESIÓN**



Ugello  
Nozzle  
Boquilla



B = distanza entro la quale l'angolo di spruzzo rimane costante. Oltre questa distanza il getto assume una forma turbolenta.  
C = distanza massima raggiungibile dal getto.

B = distance throughout spray angle is maintained constant. Beyond this distance the spray becomes turbulent.

C = maximum spray distance.

B = Distancia en cuyo interior el ángulo se mantiene constante. Fuera de esta distancia el chorro se vuelve turbulento.

C = máxima distancia de la aspersión.

Spray set-up	Liquid Capacity (liters per hour) and Air Capacity (liters per minute)															Spray dimensions						
	Liquid Pressure																					
	0,7 Bar			1,5 Bar			2 Bar			3 Bar			4 Bar			Air bar	H <sub>2</sub> O bar	A°	B cm	C m		
Air Press. (bar)	AIR l/min	Liquid l/h	Air Press. (bar)	AIR l/min	Liquid l/h	Air Press. (bar)	AIR l/min	Liquid l/h	Air Press. (bar)	AIR l/min	Liquid l/h	Air Press. (bar)	AIR l/min	Liquid l/h	Air bar	H <sub>2</sub> O bar	A°	B cm	C m			
B2-P11	0.7	2.5	16	1.1	6.4	12	1.4	6.4	14	2.7	6.2	23	3.5	7.8	26							
	0.85	1.8	19	1.4	5.0	15	1.7	5.5	17	2.8	5.7	25	3.7	7.3	29	0.85	0.7	13°	30	2.7		
	1.0	1.4	22	1.7	4.1	19	2.0	4.5	20	3.0	5.2	27	3.9	6.4	33	1.7	1.5	13°	33	3.0		
				1.8	3.4	20	2.2	3.4	24	3.1	4.7	29	4.2	5.5	38	2.5	2.0	13°	36	3.4		
				2.0	3.0	23	2.4	3.0	26	3.2	4.3	31	4.5	4.5	43	3.1	3.0	14°	39	3.8		
				2.1	2.6	25	2.5	2.5	28	3.4	3.9	33	4.6	4.1	45	4.5	4.0	15°	44	4.4		
			2.2	2.0	27	2.7	2.3	31	3.7	3.0	38	4.8	3.7	47								
B2-P12	0.7	2.5	19	1.4	5.7	27	1.7	6.7	29	2.2	9.2	34	2.8	11.9	39							
	0.85	2.0	22	1.5	5.2	29	1.8	6.4	31	2.5	8.2	39	3.1	11.0	43	0.85	0.7	12°	43	3.7		
	1.0	1.6	26	1.7	4.6	32	2.0	5.9	34	2.8	7.2	44	3.4	10.1	47	1.5	1.5	13°	46	4.0		
				1.8	4.3	35	2.1	5.2	37	3.0	6.7	47	3.7	9.2	52	2.4	2.0	13°	48	4.3		
				2.0	3.9	37	2.2	4.6	40	3.1	6.3	49	3.9	8.4	58	3.0	3.0	13°	51	4.0		
				2.1	3.4	40	2.4	4.3	43	3.2	5.9	52	4.2	7.6	62	3.9	4.0	15°	56	5.2		
B3-P12	0.85	4.8	21	1.7	8.4	31	2.0	10.7	33	2.7	16.5	37	3.4	20.0	43							
	1.1	4.1	27	1.8	7.5	35	2.1	9.8	37	2.8	15.4	38	3.7	16.4	47	1.5	0.7	12°	48	4.0		
	1.4	3.4	33	2.0	7.0	37	2.4	8.2	42	3.1	13.6	43	3.9	16.8	50	2.5	1.5	13°	51	4.3		
	1.5	3.1	35	2.2	5.7	44	2.7	6.8	48	3.4	11.8	49	4.2	15.2	55	3.0	2.0	13°	53	4.6		
	1.7	3.0	39	2.5	4.8	49	3.0	5.9	55	3.7	10.4	55	4.5	13.8	60	3.4	3.0	14°	56	4.9		
	1.8	2.9	41	2.8	4.1	54	3.2	5.0	59	3.9	9.1	61	4.8	12.4	65	4.2	4.0	15°	60	5.3		
B5-P13	2.0	2.8	44	3.1	3.6	59	3.5	4.1	65	4.2	7.9	65	4.9	11.8	68							
	1.1	13.0	76	2.2	17.8	116	2.8	20.0	136	3.4	32.0	149	4.6	37	193							
	1.4	8.9	91	2.5	13.1	130	3.1	16.3	149	3.9	25.0	170	5.3	29	220	1.7	0.7	18°	66	4.9		
	1.5	7.2	98	2.8	9.5	143	3.4	11.9	163	4.6	15.9	205	5.6	25	235	2.8	1.5	20°	76	6.1		
	1.7	5.8	105	3.1	7.0	157	3.9	7.0	187	5.3	9.1	240	6.0	21	250	3.9	2.0	20°	81	6.7		
	1.8	4.7	112	3.4	4.9	171	4.2	4.7	205	5.6	6.8	255	6.3	17	270	5.3	3.0	21°	91	7.9		
B6-P13	2.0	3.6	119	3.5	4.2	178	4.6	3.0	220	6.0	5.0	275	6.7	14	290	6.0	4.0	21°	97	9.1		
	2.1	2.7	127							6.3	3.6	290	7.0	11	306							
	0.85	31	57	1.4	61	69	2.1	53	96	2.7	80	103	3.8	88	135							
	1.0	25	66	1.5	54	76	2.4	41	112	3.0	69	117	4.2	73	156	1.0	0.7	17°	61	4.9		
	1.1	18.5	75	1.7	48	85	2.7	31	127	3.2	59	130	4.6	61	176	1.8	1.5	18°	69	5.6		
	1.3	12.9	85	1.8	41	93	2.8	26	136	3.5	49	146	4.9	48	196	2.8	2.0	20°	76	6.7		
B8-P14				2.0	35	102	3.0	22	144	3.7	44	154	5.3	39	215	3.5	3.0	20°	79	7.0		
				2.4	30	110				3.8	37	161	5.6	31	240	4.9	4.0	21°	91	8.5		
				2.2	25	119				3.9	36	170	6.0	23	260							
	1.0	44	86	1.4	125	79	2.0	123	106	2.2	199	86	3.0	250	99							
	1.1	32	102	1.5	106	91	2.1	108	119	2.5	174	110	3.2	225	120	1.0	0.7	19°	89	6.1		
				1.7	87	105	2.2	95	130	2.8	146	133	3.5	205	141	1.7	1.5	20°	99	7.0		
			1.8	70	118	2.4	79	143	3.1	121	154	3.8	182	163	2.4	2.0	21°	104	7.6			
			2.0	55	130	2.5	64	155	3.2	108	166	4.1	159	184	3.1	3.0	21°	107	7.9			
									2.7	52	166	3.4	95	176	4.6	121	225	3.8	4.0	22°	117	9.1
									2.8	42	178	3.5	84	187	4.9	93	256					